

DmV2-6 6" ROUND ADJUSTABLE MEDIUM DUTY POINT FLOOR DRAIN WITH THREADED CLAMPING DRAIN BASE

PROJECT: _____
 LOCATION: _____
 APPROVE BY: _____ DATE: _____

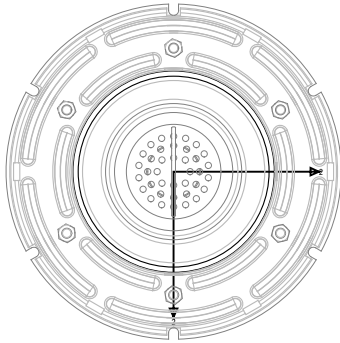


DESCRIPTION:

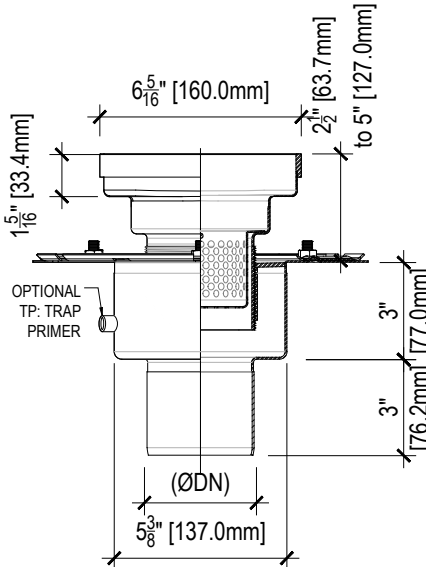
6" dia. x 2-1/2" deep Medium Duty Round hygienic floor point drain with 3/8" raised edge with threaded outlet and clamping drain base. Material 16GA (1.5mm) AISI304 stainless steel (unless otherwise noted-U.O.N) , hygienic welds and passivated corrosion resistant finish.

PRODUCT ATTRIBUTES:

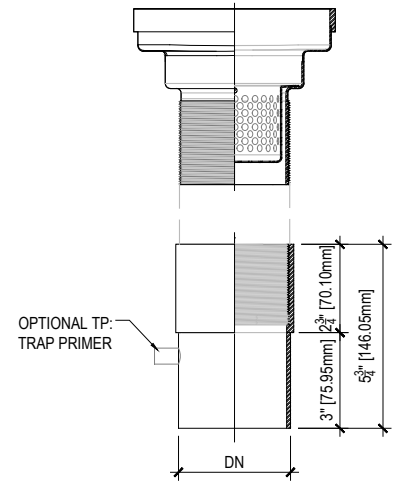
APPLICATION: Industrial/ Commerical
 MATERIAL: Stainless Steel
 MATERIAL_SPEC: AISI304, 16GA (1.5mm)
 FINISH: Passivated
 BODY TYPE: Heavy Duty Round
 BODY SIZE: 6" Dia x 2-1/2" Deep
 EDGE PROFILE: 3/8" Raised Edge
 MAX LOAD: 56,202lbs/ 250 kN
 QUANTITY: _____



TOP VIEW



DmV2-6-2: PARTIAL SECTION



BO: THREADED OUTLET EXTENSION

MODEL SPECIFICATION: DmV2-6-2-____-_____*_____

eg:

DmV2	-	6	-	2	-	3	-	FB-S10
		WIDTH	OUTLET		ACCESSORY			
		BODY STYLE	DEPTH					

BODY: DEPTH (H): PIPE SIZE (DN): GRATING OPTIONS:

- | | | |
|--|--|---|
| <input type="checkbox"/> DmV2-6:
6" dia. Round Medium Duty Point drain w/ adjustable vertical outlet | <input type="checkbox"/> 2: 2-1/2" [63.5mm] | <input type="checkbox"/> 2: 2-3/8" [60mm] |
| | | <input type="checkbox"/> 3: 3-1/2" [89.9mm] |
| | | <input type="checkbox"/> 4: 4-1/2" [114.3mm] |

- | | |
|---|---|
| <input type="checkbox"/> D: 30/4mm LADDER GRATING | <input type="checkbox"/> P: 1/2" ROUND PLATE GRATING |
| <input type="checkbox"/> Pp: 1/2" PERFORATED ROUND PLATE GRATING | <input type="checkbox"/> S: 5/16" CLEANOUT TIGHT PLATE GRATING W/ NEOPRENE RING GAS SEAL AND SUCTION CUP |

(*) ACCESSORIES :

- | | |
|---|--|
| <input type="checkbox"/> FB: FILTER BASKET | <input type="checkbox"/> S5: SCHEDULE 5 OUTLET |
| <input type="checkbox"/> SB: SEDIMENT BASKET | <input type="checkbox"/> S10: SCHEDULE 10 OUTLET (STANDARD) |
| <input type="checkbox"/> VPG: GRATE LOCKING SCREWS | <input type="checkbox"/> S40: SCHEDULE 40 OUTLET |
| <input type="checkbox"/> BO: THREADED OUTLET EXTENSION | <input type="checkbox"/> 316L: AISI316L STAINLESS STEEL |
| <input type="checkbox"/> TP: 1/2" TRAP PRIMER CONNECTION | |