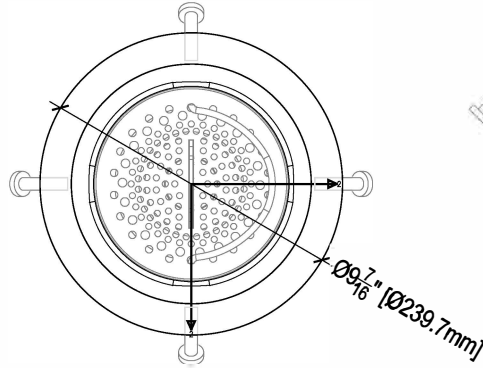


DSV1-10-4 10" X 4-1/2" DEEP SQUARE SUPER DUTY POINT FLOOR DRAIN WITH VERTICAL NO-HUB OUTLET

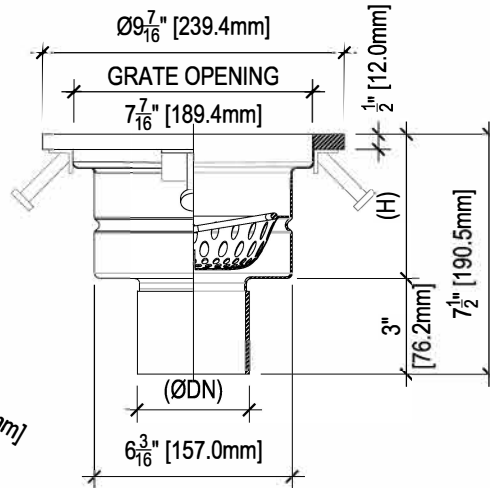
PROJECT: _____
 LOCATION: _____
 APPROVE BY: _____ DATE: _____



TP: Option



TOP VIEW



DSV1-10-4: PARTIAL SECTION

MODEL SPECIFICATION: DSV1-10-4- - - *

eg:

DSV1	-	10	-	4	-	3	-	FB-S10
WIDTH		OUTLET		GRATE & ACCESSORY				
BODY STYLE		DEPTH						

BODY: **DEPTH (H):** **PIPE SIZE (DN):** **GRATING OPTIONS:**

- | | | |
|---|---|---|
| <input type="checkbox"/> DSV1-10:
10" dia. Round Super Duty Point drain w/ vertical no-hub outlet | <input type="checkbox"/> 4: 4-1/2" [114.3mm] | <input type="checkbox"/> 3: 3-1/2" [89.9mm] |
| | | <input type="checkbox"/> 4: 4-1/2" [114.3mm] |
| | | <input type="checkbox"/> 6: 6-5/8" [168.3mm] |

- | | |
|---|---|
| <input type="checkbox"/> Pp: 1/2" PERFORATED ROUND PLATE GRATING | <input type="checkbox"/> P: 1/2" ROUND PLATE GRATING |
|---|---|

(*) ACCESSORIES :

- | | |
|--|--|
| <input type="checkbox"/> FB: FILTER BASKET | <input type="checkbox"/> S5: SCHEDULE 5 OUTLET |
| <input type="checkbox"/> SB: SEDIMENT BASKET | <input type="checkbox"/> S10: SCHEDULE 10 OUTLET (STANDARD) |
| <input type="checkbox"/> DBS: DOME BOTTOM STRAINER | <input type="checkbox"/> S40: SCHEDULE 40 OUTLET |
| <input type="checkbox"/> VPG: GRATE LOCKING SCREWS | <input type="checkbox"/> 316L: AISI316L STAINLESS STEEL |
| <input type="checkbox"/> BOC: THREADED OUTLET AND THREADED BASE EXTENSION W/ FLANGE & CLAMP | |
| <input type="checkbox"/> TP: 1/2" TRAP PRIMER CONNECTION | |