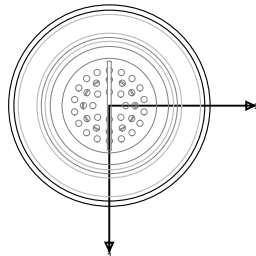


**DV1-8-2**  
8" ROUND x 2-1/2" DEEP SINGLE BODY HEAVY DUTY POINT FLOOR DRAIN  
WITH VERTICAL NO-HUB OUTLET

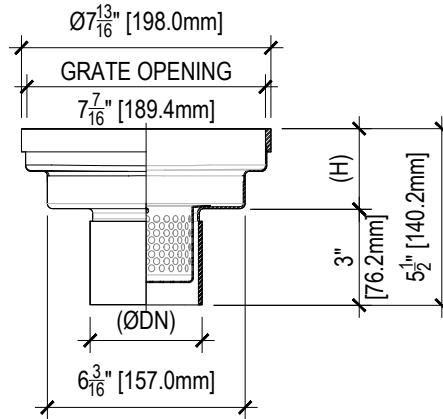
PROJECT: \_\_\_\_\_  
LOCATION: \_\_\_\_\_  
APPROVE BY: \_\_\_\_\_ DATE: \_\_\_\_\_



DESCRIPTION:	PRODUCT ATTRIBUTES:
8" dia. x 2-1/2" deep Heavy Duty Round hygienic floor point drain with $\frac{3}{8}$ " raised edge with concrete anchors. Material 14GA (2mm) AISI304 stainless steel (unless otherwise noted-U.O.N) unless otherwise noted, hygienic welds and Passivated corrosion resistant finish.	APPLICATION: Industrial/ Commerical MATERIAL: Stainless Steel MATERIAL_SPEC: AISI304, 14GA (2mm) FINISH: Passivated BODY TYPE: Heavy Duty Round BODY SIZE: 8" Dia x 2-1/2" EDGE PROFILE: 3/8" Raised Edge MAX LOAD: 56,202lbs/ 250 kN QUANTITY: _____

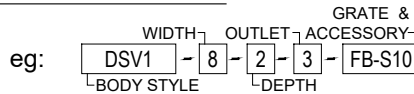


TOP VIEW



DV1-8-2: PARTIAL SECTION

MODEL SPECIFICATION: DV1-8-2-\_\_\_\_\_-\_\_\_\_\_\*\_\_\_\_\_



**BODY:                      DEPTH (H):                      PIPE SIZE (DN):                      GRATING OPTIONS:**

- |  |  |   |
|--|--|---|
| <input type="checkbox"/> <b>DV1-8:</b><br>8" dia. Round Super Duty Point drain w/ vertical no-hub outlet | <input type="checkbox"/> <b>2:</b> 2-1/2" [63.5mm] | <input type="checkbox"/> <b>3:</b> 3-1/2" [89.9mm]    |
|  |  | <input type="checkbox"/> <b>4:</b> 4-1/2" [114.3mm]   |
|  |  | <input type="checkbox"/> <b>6:</b> 6"-3/16" [157.0mm] |

- |   |   |
|---|---|
| <input type="checkbox"/> <b>D:</b> 30/4mm LADDER GRATING                | <input type="checkbox"/> <b>P:</b> 1/2" ROUND PLATE GRATING   |
| <input type="checkbox"/> <b>Pp:</b> 1/2" PERFORATED ROUND PLATE GRATING | <input type="checkbox"/> <b>S:</b> 5/16" CLEANOUT TIGHT PLATE GRATING W/ NEOPRENE RING GAS SEAL AND SUCTION CUP |

**(\*) ACCESSORIES :**

- |  |  |
|--|--|
| <input type="checkbox"/> <b>FB:</b> FILTER BASKET                                      | <input type="checkbox"/> <b>S5:</b> SCHEDULE 5 OUTLET (STANDARD) |
| <input type="checkbox"/> <b>SB:</b> SEDIMENT BASKET                                    | <input type="checkbox"/> <b>S10:</b> SCHEDULE 10 OUTLET          |
| <input type="checkbox"/> <b>VPG:</b> GRATE LOCKING SCREWS                              | <input type="checkbox"/> <b>S40:</b> SCHEDULE 40 OUTLET          |
| <input type="checkbox"/> <b>FC:</b> DRAIN BODY FLANGE & CLAMP ____" FROM TOP OF DRAIN. | <input type="checkbox"/> <b>316L:</b> AISI316L STAINLESS STEEL   |
| <input type="checkbox"/> <b>TP:</b> 1/2" TRAP PRIMER CONNECTION                        |  |