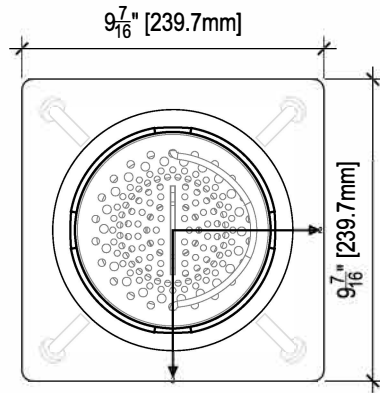


## WSV2-10-2 10" X 10" X 2-1/2" SQUARE HEAVY DUTY POINT FLOOR DRAIN WITH VERTICAL NO-HUB OUTLET

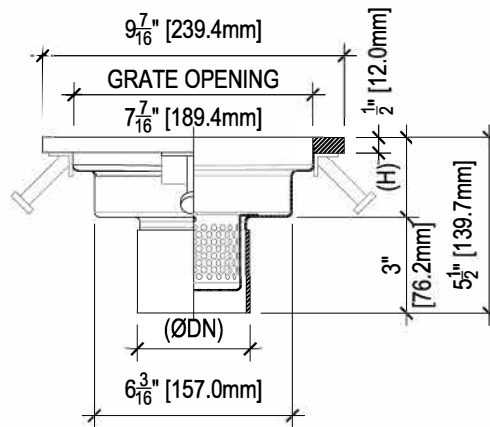
PROJECT: \_\_\_\_\_  
 LOCATION: \_\_\_\_\_  
 APPROVE BY: \_\_\_\_\_ DATE: \_\_\_\_\_



TP: Option



TOP VIEW



WSV1-10-2: PARTIAL SECTION

MODEL SPECIFICATION: WSV1-10-2- - - \*

eg: 

WSV1	-	10	-	2	-	3	-	FB-S10
WIDTH		OUTLET		GRATE & ACCESSORY				
BODY STYLE			DEPTH					

**BODY:                      DEPTH (H):                      PIPE SIZE (DN):                      GRATING OPTIONS:**

- |   |  |   |
|---|--|---|
| <input type="checkbox"/> <b>WSV1-10:</b><br>10"x10" Square Super Duty Point drain w/ vertical no-hub outlet | <input type="checkbox"/> <b>2:</b> 2-1/2" [63.5mm] | <input type="checkbox"/> <b>3:</b> 3-1/2" [89.9mm]  |
|   |  | <input type="checkbox"/> <b>4:</b> 4-1/2" [114.3mm] |
|   |  | <input type="checkbox"/> <b>6:</b> 6-5/8" [168.3mm] |

- |  |  |
|--|--|
| <input type="checkbox"/> Pp: 1/2" PERFORATED ROUND PLATE GRATING | <input type="checkbox"/> P: 1/2" ROUND PLATE GRATING |
|--|--|

**(\*) ACCESSORIES :**

- |  |  |
|--|--|
| <input type="checkbox"/> <b>FB:</b> FILTER BASKET  | <input type="checkbox"/> <b>S5:</b> SCHEDULE 5 OUTLET              |
| <input type="checkbox"/> <b>SB:</b> SEDIMENT BASKET  | <input type="checkbox"/> <b>S10:</b> SCHEDULE 10 OUTLET (STANDARD) |
| <input type="checkbox"/> <b>DBS:</b> DOME BOTTOM STRAINER  | <input type="checkbox"/> <b>S40:</b> SCHEDULE 40 OUTLET            |
| <input type="checkbox"/> <b>VPG:</b> GRATE LOCKING SCREWS  | <input type="checkbox"/> <b>316L:</b> AISI316L STAINLESS STEEL     |
| <input type="checkbox"/> <b>BOC:</b> THREADED OUTLET AND THREADED BASE EXTENSION W/ FLANGE & CLAMP |  |
| <input type="checkbox"/> <b>TP:</b> 1/2" TRAP PRIMER CONNECTION                                    |  |