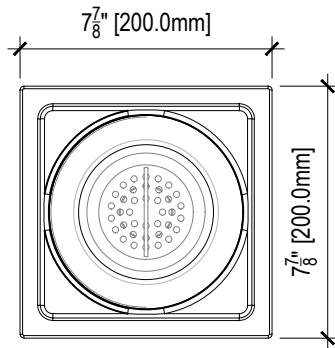


WV1-8-2 8" SQUARE x 2-1/2" DEEP SINGLE BODY HEAVY DUTY POINT FLOOR DRAIN WITH VERTICAL NO-HUB OUTLET

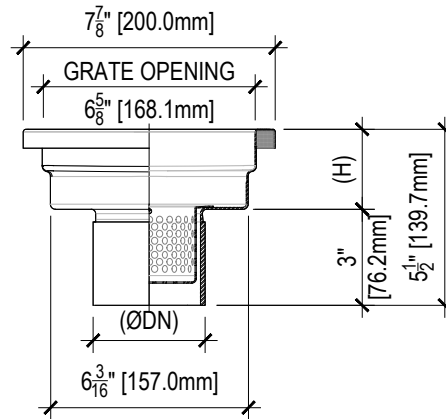
PROJECT: _____
 LOCATION: _____
 APPROVE BY: _____ DATE: _____



DESCRIPTION:	PRODUCT ATTRIBUTES:
8" dia. x 2-1/2" deep Super Duty Square hygienic floor point drain with epoxy filled edge with concrete anchors. Material 14GA (2mm) AISI304 stainless steel (unless otherwise noted-U.O.N), hygienic welds and passivated corrosion resistant finish.	APPLICATION: Industrial/ Commercial MATERIAL: Stainless Steel MATERIAL_SPEC: AISI304, 14GA (2mm) FINISH: Passivated BODY TYPE: Heavy Duty Square BODY SIZE: 8" Dia x 2-1/2" Deep EDGE PROFILE: Epoxy Filled Edge MAX LOAD: 56,202lbs/ 250 kN QUANTITY: _____



TOP VIEW



WV1-8-2: PARTIAL SECTION

MODEL SPECIFICATION: WV1-8-2- - - *

eg:

WSV1	-	8	-	2	-	3	-	FB-S10	
WIDTH		OUTLET		GRATE & ACCESSORY					
BODY STYLE		DEPTH							

BODY:	DEPTH (H):	PIPE SIZE (DN):	GRATING OPTIONS:
<input type="checkbox"/> WV1-8: 8"x8" Square Super Duty Point drain w/ vertical no-hub outlet	<input type="checkbox"/> 2: 2-1/2" [63.5mm]	<input type="checkbox"/> 3: 3-1/2" [89.9mm]	<input type="checkbox"/> D: 30/4mm LADDER GRATING
		<input type="checkbox"/> 4: 4-1/2" [114.3mm]	<input type="checkbox"/> P: 1/2" PLATE GRATING
		<input type="checkbox"/> 6: 6"-3/16" [157.0mm]	

(*) ACCESSORIES :

<input type="checkbox"/> FB: FILTER BASKET	<input type="checkbox"/> S5: SCHEDULE 5 OUTLET (STANDARD)
<input type="checkbox"/> SB: SEDIMENT BASKET	<input type="checkbox"/> S10: SCHEDULE 10 OUTLET
<input type="checkbox"/> VPG: GRATE LOCKING SCREWS	<input type="checkbox"/> S40: SCHEDULE 40 OUTLET
<input type="checkbox"/> FC: DRAIN BODY FLANGE & CLAMP ___" FROM TOP OF DRAIN.	<input type="checkbox"/> 316L: AISI316L STAINLESS STEEL
<input type="checkbox"/> TP: 1/2" TRAP PRIMER CONNECTION	

<input type="checkbox"/> Pp: 1/2" PERFORATED PLATE GRATING	<input type="checkbox"/> B: PERFORATED SHEET GRATING
---	---