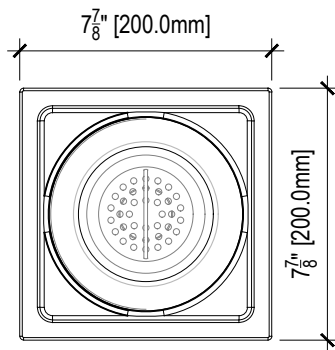
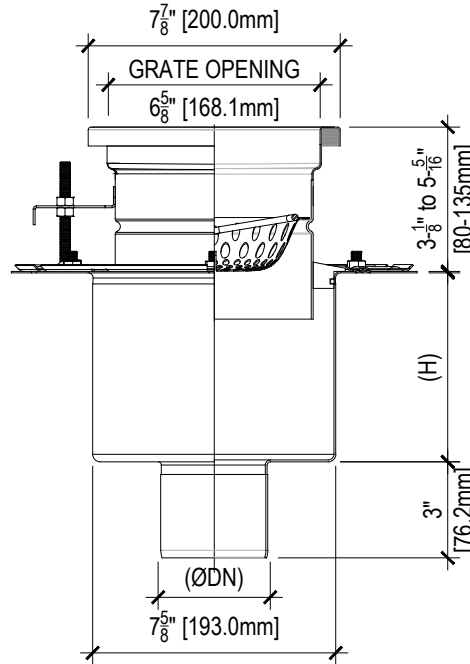


PROJECT: _____
 LOCATION: _____
 APPROVE BY: _____ DATE: _____



TOP VIEW



WV2-8: PARTIAL SECTION

MODEL SPECIFICATION: WV2-8- - - *

eg: $\begin{matrix} \text{WIDTH} & \text{OUTLET} & \text{GRATE \& ACCESSORY} \\ \text{WSV2} & - 8 & - 6 & - 3 & - \text{FB-S10} \\ \text{BODY STYLE} & & \text{DEPTH} & & \end{matrix}$

BODY: DEPTH (H): PIPE SIZE (DN): GRATING OPTIONS:

- | | | |
|---|--|---|
| <input type="checkbox"/> WV2-8:
8"x8" Two-part adjustable Square Heavy Duty Point drain w/ vertical no-hub outlet | <input type="checkbox"/> 6: 5"-7/8" [150mm] | <input type="checkbox"/> 3: 3-1/2" [89.9mm] |
| | <input type="checkbox"/> 8: 7"-7/8" [200mm] | <input type="checkbox"/> 4: 4-1/2" [114.3mm] |
| | | <input type="checkbox"/> 6: 6"-3/16" [157. mm] |

- | | |
|--|---|
| <input type="checkbox"/> D: 30/4mm LADDER GRATING | <input type="checkbox"/> P: 1/2" PLATE GRATING |
|--|---|

(*) ACCESSORIES :

- | | |
|---|--|
| <input type="checkbox"/> FB: FILTER BASKET | <input type="checkbox"/> S5: SCHEDULE 5 OUTLET (STANDARD) |
| <input type="checkbox"/> SB: SEDIMENT BASKET | <input type="checkbox"/> S10: SCHEDULE 10 OUTLET |
| <input type="checkbox"/> DBS: DOME BOTTOM STRAINER | <input type="checkbox"/> S40: SCHEDULE 40 OUTLET |
| <input type="checkbox"/> VPG: GRATE LOCKING SCREWS | <input type="checkbox"/> 316L: AISI316L STAINLESS STEEL |
| <input type="checkbox"/> TP: 1/2" TRAP PRIMER CONNECTION | |

- | | |
|---|---|
| <input type="checkbox"/> Pp: 1/2" PERFORATED PLATE GRATING | <input type="checkbox"/> B: PERFORATED SHEET GRATING |
|---|---|