

## WmV2-6 6" SQUARE ADJUSTABLE MEDIUM DUTY POINT FLOOR DRAIN WITH THREADED CLAMPING DRAIN BASE

PROJECT: \_\_\_\_\_  
 LOCATION: \_\_\_\_\_  
 APPROVE BY: \_\_\_\_\_ DATE: \_\_\_\_\_

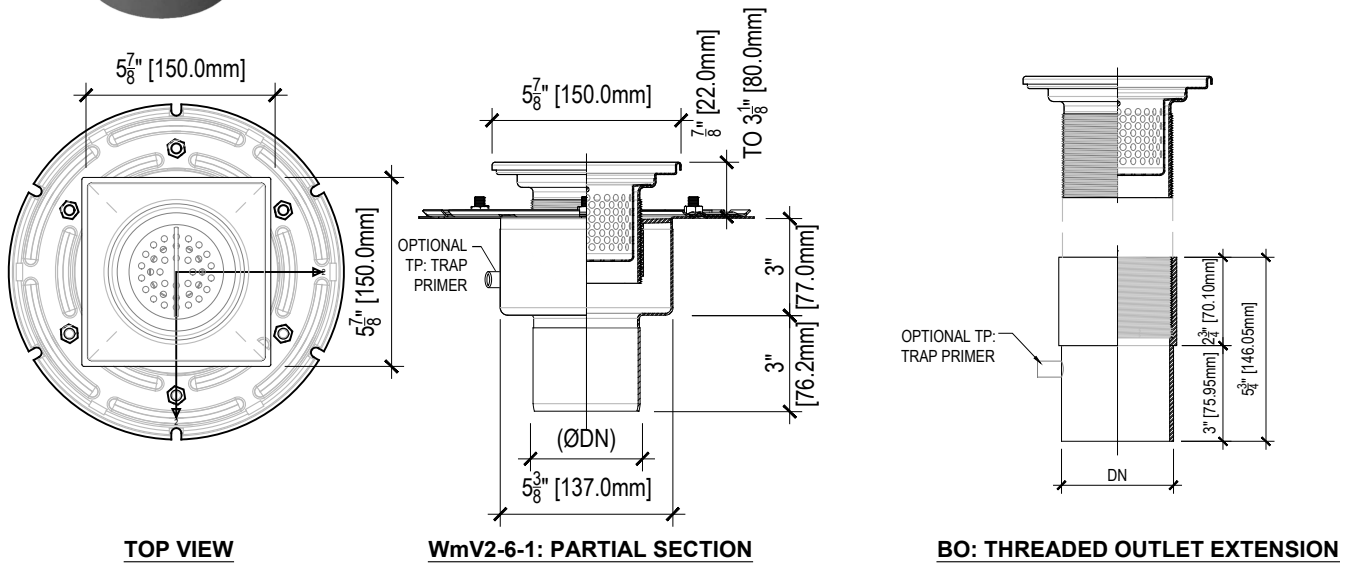


### DESCRIPTION:

6" dia. x 1" deep Medium Duty Square hygienic floor point drain with folded edge with threaded outlet and clamping drain base. Material 16GA (1.5mm) AISI304 stainless steel (unless otherwise noted-U.O.N), hygienic welds and passivated corrosion resistant finish.

### PRODUCT ATTRIBUTES:

APPLICATION: Industrial/ Commerical  
 MATERIAL: Stainless Steel  
 MATERIAL\_SPEC: AISI304, 16GA (1.5mm)  
 FINISH: Passivated  
 BODY TYPE: Medium Duty Square  
 BODY SIZE: 6" Dia x 1" Deep  
 EDGE PROFILE: Folded Edge  
 MAX LOAD: 12,390lbs/ 50 kN  
 QUANTITY: \_\_\_\_\_

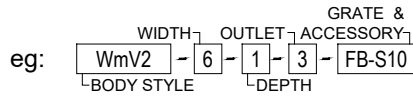


TOP VIEW

WmV2-6-1: PARTIAL SECTION

BO: THREADED OUTLET EXTENSION

MODEL SPECIFICATION: WmV2-6-1- - - \*



BODY:	DEPTH (H):	PIPE SIZE (DN):	GRATING OPTIONS:
<input type="checkbox"/> <b>WmV2-6:</b> 6"x6"Square Medium Duty Point drain w/ adjustable vertical outlet	<input type="checkbox"/> <b>1:</b> 13/16" [20.0mm]	<input type="checkbox"/> <b>2:</b> 2-3/8" [60mm]	
		<input type="checkbox"/> <b>3:</b> 3-1/2" [89.9mm]	
		<input type="checkbox"/> <b>4:</b> 4-1/2" [114.3mm]	

### (\*) ACCESSORIES :

- FB:** FILTER BASKET
- SB:** SEDIMENT BASKET
- VPG:** GRATE LOCKING SCREWS
- BO:** THREADED OUTLET EXTENSION
- TP:** 1/2" TRAP PRIMER CONNECTION
- S5:** SCHEDULE 5 OUTLET
- S10:** SCHEDULE 10 OUTLET (STANDARD)
- S40:** SCHEDULE 40 OUTLET
- 316L:** AISI316L STAINLESS STEEL
- Pp: 3/16" [5mm] PERFORATED PLATE GRATING